



# SS100 Series Small Engine Air Starters

**Compact Versatility**



# Compact Versatility

Ingersoll Rand is known worldwide for its ruggedly reliable air starters used in the world's most demanding industries. The new SS100 Series small engine air starters are versatile, reliable and efficient—representing more than a half-century of innovative engineering expertise.

## VERSATILITY

- One size fits engines up to 10+ liters to lower cost and reduce inventory
- Compact design and flexible mounting for easy fit-up
- Standard and metric pinions fit most manufacturers' engines
- Overhung pinion and 360° flange design for easy installation
- Dependable accessories including valves, mufflers and deflectors

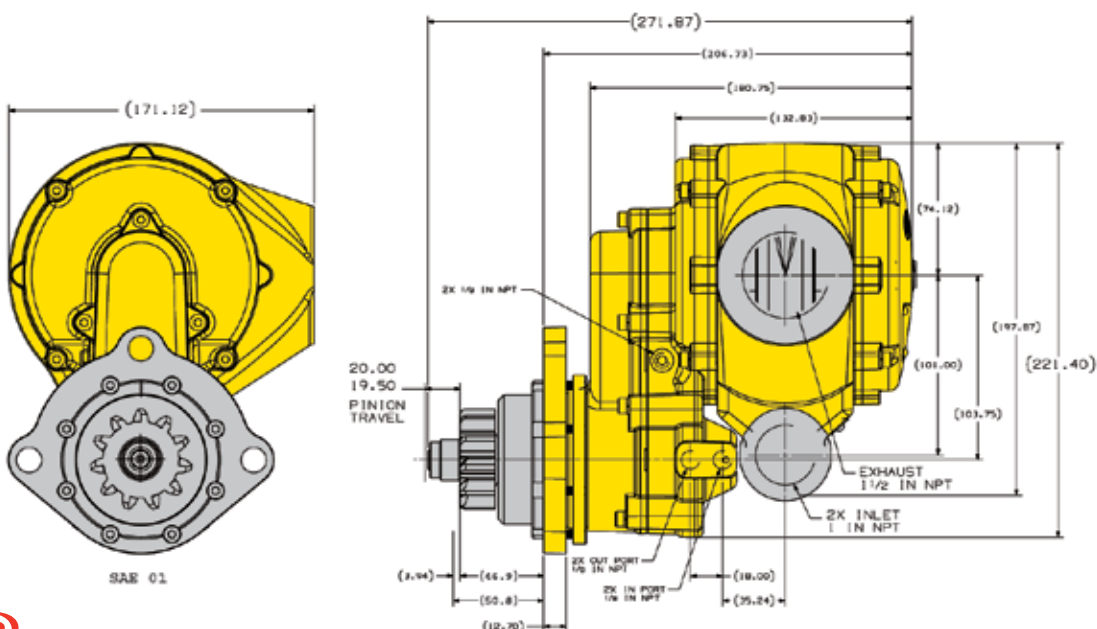
## DURABILITY

- Alloy steel motor components ensure reliability in harsh conditions
- Offset gear design for rugged power transfer and easy field service

## POWER

- Powerful, revolutionary lube-free vane motor can be used with air or natural gas
- Class-leading starting torque for engines up to 10+ liters

SS100 Series Small Engine Air Starter Dimensions (mm)



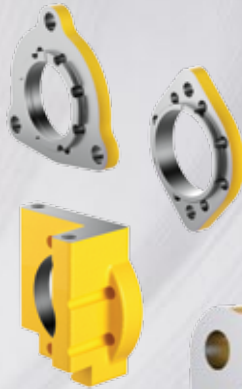
# SS100 Series Small Engine Air Starters

## Lube-Free Motor & Patent-Pending Starter Design

built tough with proprietary materials to deliver a revolutionary lube-free vane motor

### One Frame, Multiple Flanges ▶

SAE 01, 03, 04 and custom designs all interchange on the same housing



### Overhung Design

makes pinion changes a snap; no outboard bearing to interfere with compact flywheel housings

### Extremely Short Drive Housing

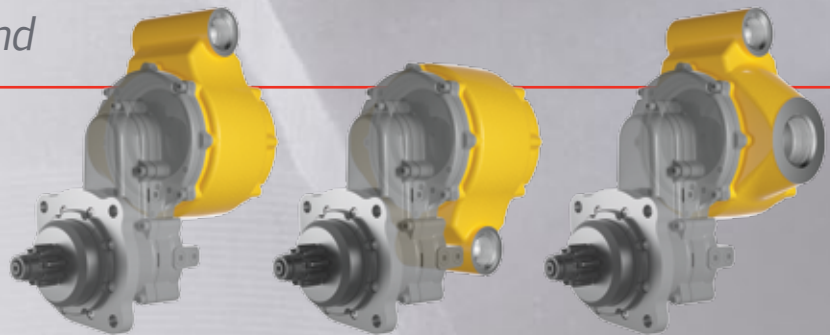
with 360° mounting flange allows for easy fit-up even on the smallest engines

4.25" - 4.75"

## It All Starts With Ingersoll Rand

### Multiple Mounting Orientations ▶

with dual inlets allows for easy installation in virtually any location



### Specifications by Operating Pressure

Pressure psi (bar)	30 (2.1)	60 (4.1)	90 (6.2)	120 (8.3)	150 (10.3)
Breakaway torque lb-ft (Nm)	16 (22)	39 (53)	55 (75)	75 (102)	75 (102)
Speed @ max hp rpm	1,290	1,625	1,800	1,900	1,900
Max power hp (kW)	2.3 (1.7)	6.4 (4.8)	9.6 (7.2)	13.8 (10.3)	13.8 (10.3)
Flow @ max hp scfm (L/s)	110 (52)	215 (101)	315 (149)	415 (196)	415 (196)



Ingersoll Rand (NYSE:IR) advances the quality of life by creating and sustaining safe, comfortable and efficient environments. Our people and our family of brands—including Club Car®, Ingersoll Rand®, Schlage®, Thermo King® and Trane®—work together to enhance the quality and comfort of air in homes and buildings; transport and protect food and perishables; secure homes and commercial properties; and increase industrial productivity and efficiency. Ingersoll Rand products range from complete compressed air systems, tools and pumps to material handling systems. The diverse and innovative products, services and solutions enhance our customers' energy efficiency, productivity and operations. We are a \$14 billion global business committed to a world of sustainable progress and enduring results. For more information, visit [ingersollrand.com](http://ingersollrand.com).



(888) 782-7824 • [www.ingersollrandproducts.com](http://www.ingersollrandproducts.com)

Distributed by:

Ingersoll Rand, IR and the IR logo are trademarks of Ingersoll Rand, its subsidiaries and/or affiliates. All other trademarks are the property of their respective owners. Nothing contained on these pages is intended to extend any warranty or representation, expressed or implied, regarding the product described herein. Any such warranties or other terms and conditions of sale of products shall be in accordance with Ingersoll Rand's standard terms and conditions of sale for such products, which are available upon request.

Product improvement is a continuing goal at Ingersoll Rand. Designs and specifications are subject to change without notice or obligation.