


# Die Grinding





Atlas Copco die grinders are available in straight or angle versions in a wide range of sizes and power outputs. All the tools fulfil the highest standards and requirements in terms of ergonomics, accessibility and productivity. Like all Atlas Copco tools, they are easy to work with and built to last.

# Die Grinders

up to 0.51 kw



LSF19

Die grinders are an excellent choice for high quality finishing and surface preparation in applications where accessibility is your first priority.

Atlas Copco die grinders are high quality tools with compact, ergonomic designs that offer excellent accessibility.

**LSF12/19** are straight models, ergonomically designed for operator comfort and equipped with a speed governor for optimum process speed. LSF 19 models are available in scatter damping versions, which give improved life length of burrs and reduce vibrations for the operator.

**LSV12/19** are angle versions with the same features as the straight models.

**LSF07** is a high-speed pencil-type tool for precision grinding and polishing.



LSV12



LSV19



LSF07



LSF12

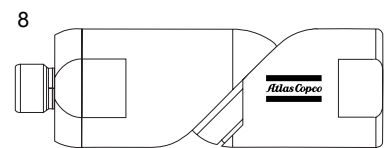
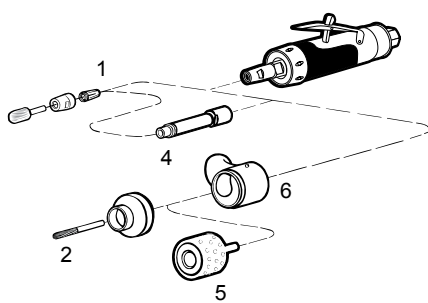
Model	Max free speed r/min	Max output kW	Collet size mm	Length mm	Weight kg	Air consumption at max output l/s	Air consumption at free speed l/s	Rec hose size mm	Air inlet thread BSP	Scatter damped	Ordering No.
<b>Straight die grinders</b>											
LSF12 S200-1	20000	0.24	6	170	0.36	8.1	2.6	8	1/4"	-	8423 1124 01
LSF12 S250-1	25000	0.29	6	170	0.36	8.5	3.4	8	1/4"	-	8423 1124 02
LSF12 S310-1	31000	0.32	6	170	0.36	9.2	4.2	8	1/4"	-	8423 1124 03
LSF12 S400-1	40000	0.36	6	170	0.36	9.8	7.0	8	1/4"	-	8423 1124 04
LSF19 S200-1	20000	0.5	6	193	0.5	9.6	3.5	10	1/4"	●	8423 1224 80
LSF19 S200-2	20000	0.5	1/4"	193	0.5	9.6	3.5	10	1/4"	●	8423 1224 83
LSF19 S300-1	30000	0.5	6	193	0.5	11.3	6.6	10	1/4"	●	8423 1224 81
LSF19 S300-2	30000	0.5	1/4"	193	0.5	11.3	6.6	10	1/4"	●	8423 1224 84
LSF19 S300-1/R	30000	0.5	6	193	0.5	11.3	6.6	10	1/4"	-	8423 1224 89
LSF19 S460-1	46000	0.5	6	193	0.5	11.4	15	10	1/4"	●	8423 1224 82
<b>Straight extended die grinders</b>											
LSF19 S200E-1	20000	0.5	6	293	0.7	9.6	3.5	10	1/4"	●	8423 1224 85
LSF19 S300E-1	30000	0.5	6	293	0.7	11.3	6.6	10	1/4"	●	8423 1224 86
LSF19 S300E-1/R	30000	0.5	6	293	0.7	11.3	6.6	10	1/4"	-	8423 1224 88
LSF19 S460E-1	46000	0.5	6	293	0.7	11.4	15	10	1/4"	●	8423 1224 87
LSF19 S460E-1/R	46000	0.5	6	293	0.7	11.4	15	10	1/4"	-	8423 1224 90
<b>Angle die grinders</b>											
LSV12 S120-1	12000	0.24	6	166	0.54	8.3	3.0	8	1/4"	-	8423 1124 05
LSV12 S200-1	20000	0.29	6	166	0.54	9.5	6.4	8	1/4"	-	8423 1124 06
LSV19 S080-1	8000	0.37	6	185	0.6	11.3	6.5	10	1/4"	-	8423 0111 46
LSV19 S120-1	12000	0.46	6	185	0.6	11.3	7.5	10	1/4"	-	8423 0111 43
LSV19 S200-1	20000	0.46	6	185	0.6	11.3	7.5	10	1/4"	-	8423 0111 41
<b>High speed pen</b>											
LSF07 S850	88000	0.10	3	173	0.4	2.2	2.3	4.5	-	-	8423 1222 03

R=Rigid mount

## Accessories

Model	LSF07	LSF/LSV12	LSF/LSV19	See illustration
<b>Collets</b>				
Collet Ø 1/8"	4150 1822 00	4150 2226 46	4150 0082 00	1
Collet Ø 1/4"	-	4150 2226 03	4150 0076 00	1
Collet Ø 3/16"	-	4150 2226 48	4150 0649 00	1
Collet Ø 5/32"	-	-	4150 0648 00	-
Collet Ø 5/16"	-	-	4150 0074 00	1
Collet Ø 3 mm	4150 1800 00	-	4150 0081 00	1
Collet Ø 5 mm	-	-	4150 0075 01	1
Collet Ø 6 mm	-	4150 2226 03	4150 0075 00	1
Collet Ø 8 mm	-	-	4150 0074 00	1
Collar	-	4150 2226 02	-	7
Collet nut	-	4150 2226 04	4150 0760 00	3
Collet holder	-	4150 2226 21	4150 1262 00	-
Extension 75 mm (3"). Only for rigid (-R) models	-	-	4150 0674 00	4
<b>For machining of plastic and fibreglass*</b>				
Spot suction kit burr (diamond burr not included)	-	3780 3015 23*	3780 3015 22*	6
Diamond burr Ø 6 mm	-	3780 5013 70	3780 5013 70	2
Spot suction kit drum (diamond drum not incl). For use with 6 mm collet	-	-	3780 4011 61*	6
Diamond drum Ø 27 mm	-	-	3780 5033 00	5
Shaft Ø 6 mm (included in spot suction kit)	-	-	3780 5090 30	-
Locking screw for drum (included in spot suction kit)	-	-	3780 5090 60	-
MultiFlex	-	8202 1350 20	8202 1350 20	8

\*For LSF models only.



**NEED BETTER  
AIR FLOW?**

Check out our full range of Air Line accessories in chapter Air Line Installation.

# Die Grinders

up to 0.66–1.35 kw

In applications where you want more power but still need accessibility, these die grinders will be your first choice.

**LSF 28/38** die grinders are designed with focus on power and productivity. The tools are equipped with a speed governor for optimum process speed. They are available in scatter damping versions, which give improved life length of burrs and reduced vibrations for the operator.



LSF28



LSF28 E



LSF38

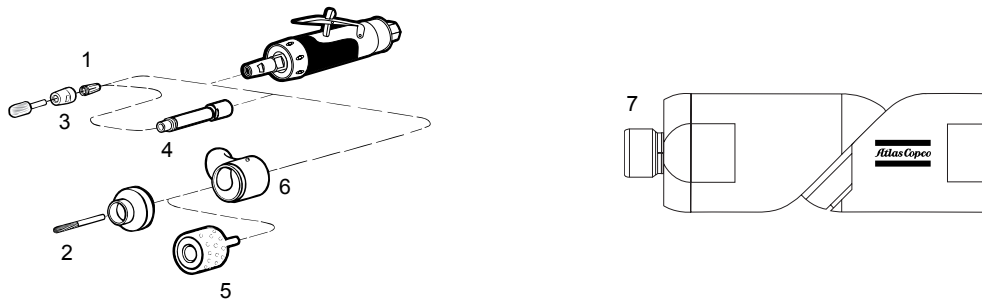
Model	Max free speed r/min	Max output kW	Collet size mm	Length mm	Weight kg	Air consumption at max output l/s	Air consumption at free speed l/s	Rec hose size mm	Air inlet thread BSP	Scatter damped	Ordering No.
<b>Straight die grinders</b>											
LSF28 ST030	3000	0.67	6	257	1.2	18.0	8.6	13	3/8"	-	8423 1235 63
LSF28 ST070	7000	0.76	6	257	1.2	18.9	12.4	13	3/8"	-	8423 1235 66
LSF28 S120	12000	0.66	6	213	0.8	13.8	4.0	13	3/8"	●	8423 1235 67
LSF28 S150	15000	0.70	6	213	0.8	15.0	5.5	13	3/8"	●	8423 1235 64
LSF28 S180	18000	0.82	6	213	0.8	17.4	7.0	13	3/8"	●	8423 1235 04
LSF28 S180-1R	18000	0.82	6	213	0.8	17.4	7.0	13	3/8"	-	8423 1235 41
LSF28 S250	25000	0.86	6	213	0.8	18.5	11.0	13	3/8"	●	8423 1235 11
LSF28 S250-R	25000	0.86	6	213	0.8	18.5	11.0	13	3/8"	-	8423 1235 48
<b>Straight extended die grinders</b>											
LSF28 ST030E	3000	0.67	6	383	1.8	18.0	8.6	13	3/8"	-	8423 1235 62
LSF28 ST070E	7000	0.76	6	383	1.8	18.9	12.4	13	3/8"	-	8423 1235 65
LSF28 S150E	15000	0.70	6	338	1.3	15.0	5.5	13	3/8"	●	8423 1235 61
LSF28 S180E	18000	0.82	6	338	1.3	17.4	7.0	13	3/8"	●	8423 1235 05
LSF28 S180E-1R	18000	0.82	6	338	1.3	17.4	7.0	13	3/8"	-	8423 1235 42
LSF28 S250E-R	25000	0.86	6	338	1.3	18.5	11.0	13	3/8"	-	8423 1235 49
LSF28 S250E	25000	0.86	6	338	1.3	18.5	11.0	13	3/8"	●	8423 1235 60
LSF38 S150E-01/R	15000	1.25	6	356	1.5	24.0	13.0	13	3/8"	-	8423 1231 14
LSF38 S180E-01/R	18000	1.35	6	356	1.5	28.0	15.0	13	3/8"	-	8423 1231 15
LSF38 S180E-01	18000	1.35	6	356	1.5	28.0	15.0	13	3/8"	●	8423 1231 16
LSF38 S250E-01	25000	1.35	6	356	1.5	28.0	25.0	13	3/8"	●	8423 1231 17
<b>Angle die grinders</b>											
LSV28 S150	15000	0.68	6	250	1.2	17.0	8.3	10	3/8"	-	8423 0125 54

R=Rigid mount

## Accessories

Model	LSF/LSV28	LSF38	See illustration
<b>Collets</b>			
Collet Ø 1/4"	4150 0076 00	4150 1754 00	1
Collet Ø 3/16"	4150 0649 00	-	
Collet Ø 5/16"	4150 0074 00	-	
Collet Ø 3 mm	4150 0081 00	-	1
Collet Ø 5 mm	4150 0075 01	-	
Collet Ø 6 mm	4150 0075 00	4150 1453 00	1
Collet Ø 8 mm	4150 0074 00	4150 0706 00	1
Collet Ø 9 mm	-	4150 0765 00	1
Collet Ø 10 mm	-	4150 0681 00	1
Collet nut	4150 0760 00	4150 0849 00	3
Collet holder (LSF)	-	4150 1587 00	-
Collet holder and collet nut (LSF)	4110 0844 90	-	-
Extension 75 mm (3"). Only for rigid (-R) models	4150 0674 00	-	4
<b>For machining of plastic and fiberglass*</b>			
Spot suction kit burr (diamond burr not included)	3780 4007 42*	-	6
Diamond burr Ø 6 mm	3780 5013 70	-	2
Spot suction kit drum (diamond drum not incl.). For use with 8 mm collet	3780 4011 73*	-	6
Diamond drum Ø 52 mm	3780 5035 00	-	5
Shaft Ø 8 mm (included in spot suction kit)	3780 5091 00	-	-
Locking nut (included in spot suction kit)	3780 5092 00	-	-
Distance nut (included in spot suction kit)	3780 5091 50	-	-
MultiFlex	8202 1350 22	8202 1350 24	7

\*For LSF model only.



## Productivity Kits

Model	Air inlet BSP	Economical air flow	Max hose, 5 m	Coupling	Lubrication	Ordering No.
MIDI Optimizer F/RD EQ10-R13-W, incl. whip hose	3/8"	21 l/s	Rubair 13 mm	ErgoQIC 10	Yes	8202 0850 14
MIDI Optimizer F/RD EQ10-R13-W, incl. whip hose	-	21 l/s	Rubair 13 mm	ErgoQIC 10	Yes	8202 0850 15
MIDI Optimizer F/RD EQ10-T13	3/8"	21 l/s	Turbo 13 mm	ErgoQIC 10	Yes	8202 0850 17
MIDI Optimizer F/R EQ10-T13	1/2"	21 l/s	Turbo 13 mm	ErgoQIC 10	No	8202 0850 04
MIDI Optimizer F/RD EQ10-T13	1/2"	21 l/s	Turbo 13 mm	ErgoQIC 10	Yes	8202 0850 13
MIDI Optimizer F/RD EQ10-T16	1/2"	31 l/s	Turbo 16 mm	ErgoQIC 10	Yes	8202 0850 12